

Product Order Form



CUSTOMER INFORMATION

Company	PO#
Address	
Contact	Mobile
Email	Phone

MACHINE SPECIFICATIONS

Make	Model	Size(ton)
Colour	Type of Hitch	

PRODUCTS REQUIRED

Product Description	Qty	Pickup Pin Requirements			Bolt on Edge	Bolt On Side Cutters
		Welded In Pins	Removable Pins			
			Bolt & Nut	Circlip		

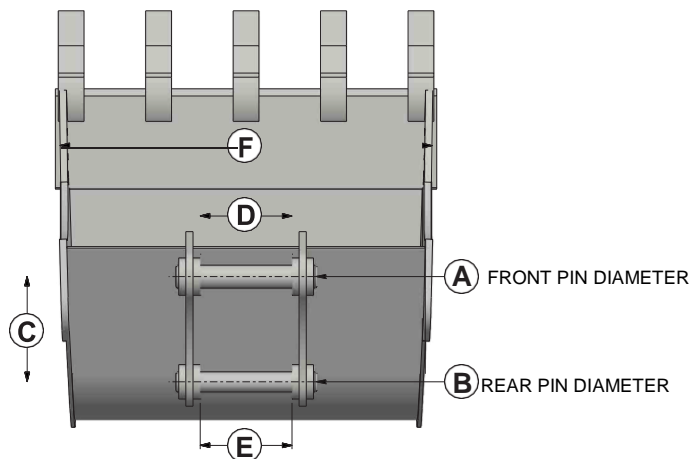
DELIVERY ADDRESS, SPECIAL INSTRUCTIONS, ETC

AUTHORIZED BY CUSTOMER

Name	Date	Signature
------	------	-----------

PICKUP MEASUREMENTS

Measurements	
A	mm
B	mm
C	mm
D	mm
E	mm
F	mm



Wildkat Holdings (NT) Pty Ltd
 1/28 Toupein Rd
 Yarrowonga, NT 0838
 PH: 08 8932 5544
wildkat@wildkatspares.com.au