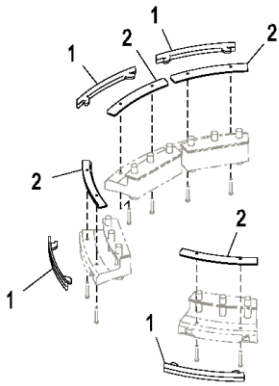


PRODUCT BULLETIN

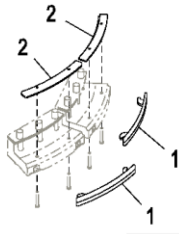


JOHN DEERE GRADER PARTS

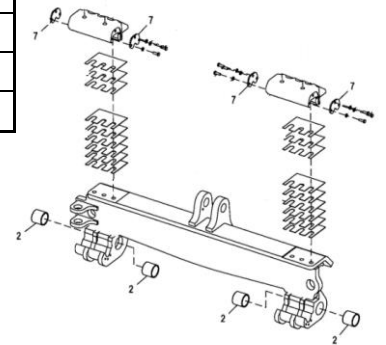
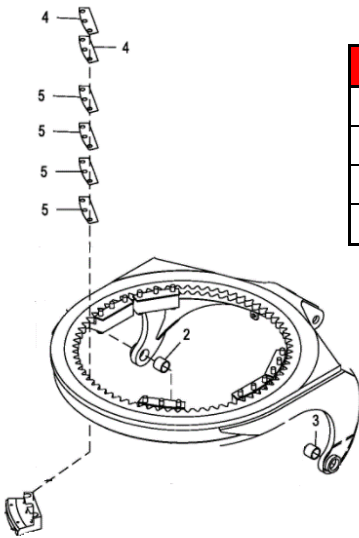
Suitable to: 670G/GP – 672G/GP – 770G/GP – 870G/GP & 872G/GP



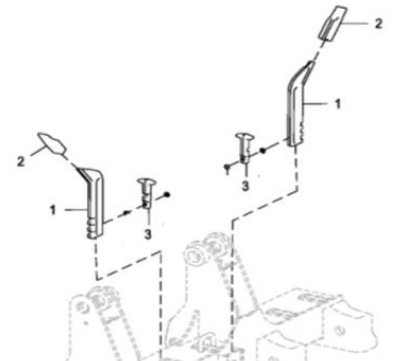
LOCATION	PART NO.	DESCRIPTION	QTY.	NOTE
1	T163748	SEGMENT, CIRCLE	6	HEAVY DUTY
2	T184082	PLATE, CIRCLE	15	



LOCATION	PART NO.	DESCRIPTION	QTY.
2-3	T143929	BUSHING, CIRCLE FRAME	2
4	T129982	SHIM, CIRCLE FRAME	12
5	T129981	SHIM, CIRCLE FRAME	24
7	T221053	PLATE, BLADE TILT FRAME	4



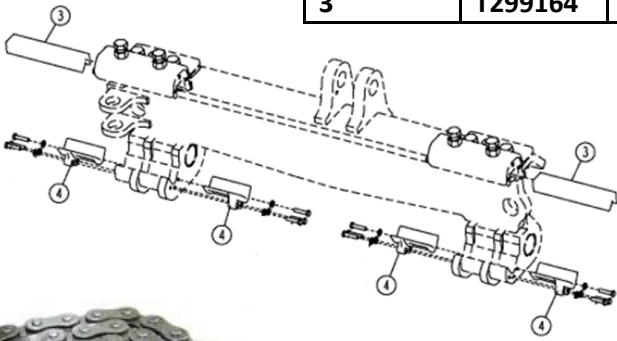
REAR SCARIFIER			
LOCATION	PART NO.	DESCRIPTION	QTY.
1	T9F5124	SHANK SCARIFIER	9 or 11
2	T6Y5230	TOOTH SCARIFIER	9 or 11
3	T150346	RETAINER	9 or 11



GUARANTEED QUALITY AND RELIABILITY

Part Numbers are for Reference Purposes Only

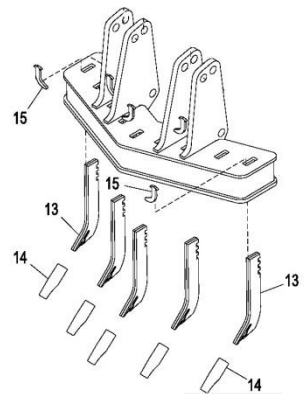
LOCATION	PART NO.	DESCRIPTION	QTY.
4	T239757	WEAR STRIP BOTTOM	4
3	T299164	WEAR STRIP TOP	2



PART NO.	DESCRIPTION	ALTERNATE NO.
AT334298	TANDEM CHAIN	AT40729

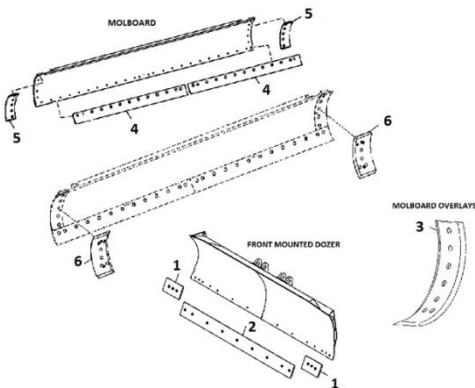
FRONT MOUNT SCARIFIER

LOCATION	PART NO.	DESCRIPTION	QTY.
13	T114792	SHANK SCARIFIER	5
14	T6Y5230	TIP SCARIFIER	5
15	T104223	RETAINER	5



GROUND ENGAGING TOOLS

LOCATION	PART NO.	DESCRIPTION	QTY.
1	T120978	END BIT	2
2	T140560	CUTTING EDGE 2921MM	1
3	T162466	OVERLAY END BIT LH 6" BLADE	1
3	T162467	OVERLAY END BIT RH 6" BLADE	1
4	T66702	CUTTING EDGE 6FTX6X5/8X5/8	2
4	T66703	CUTTING EDGE 6FTX8X3/4X5/8	2
4	T66704	CUTTING EDGE 7FTX8X3/4X5/8	2
4	T66705	CUTTING EDGE 8FTX6X5/8X5/8	2
5	T202876	END BIT UNDERLAY MGR RH/LH 5/8* THICK	2
5	T202877	END BIT UNDERLAY MGR RH/LH 3/4* THICK	2
6	T202938	OVERLAY END BIT LH/RH 6" BLADE	2
6	T202940	OVERLAY END BIT LH/RH 8" BLADE	2
6	T218923	OVERLAY END BIT 8"	2
3	T70927	END BIT OVERLAY (R/L)	2
5	T71955	END BIT UNDERLAY (R/L) 770	2



GUARANTEED QUALITY AND RELIABILITY

Part Numbers are for Reference Purposes Only